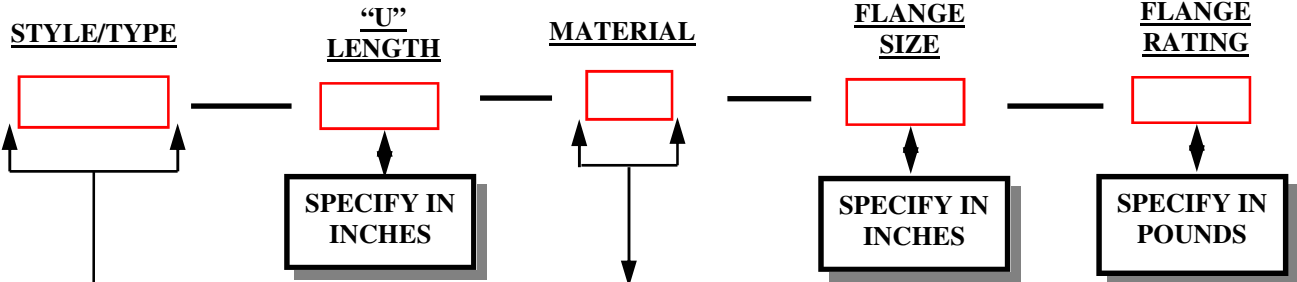


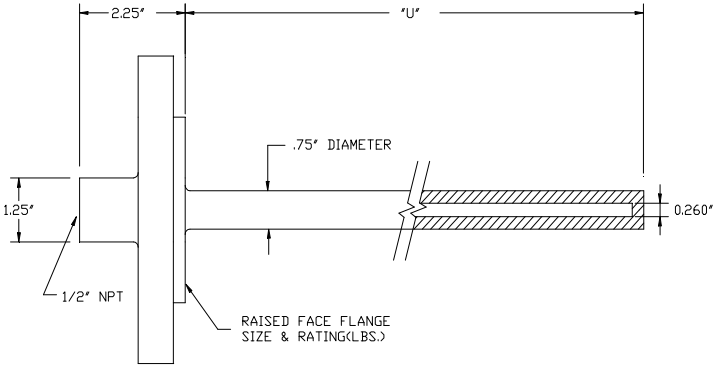
# FLANGED THERMOWELL SELECTION TABLES

## FLANGED TYPE



THERMOWELL MATERIAL CODES	
CODE	MATERIAL
<b>A</b>	304 STAINLESS STEEL
<b>B</b>	316 STAINLESS STEEL
<b>C</b>	310 STAINLESS STEEL
<b>D</b>	INCONEL
<b>F</b>	446 STAINLESS STEEL
<b>K</b>	CARBON STEEL
<b>N</b>	BRASS
<b>P</b>	MONEL
<b>T</b>	HASTELLOY C (ALLOY 276)
Other materials available upon request.	

Style No. **260RF** — .260" Bore Raised Face Flanged Thermowell.



Style No. **260FF** — .260" Bore Flat Face Flanged Thermowell.

